

ARIES OFFROAD

INSTALLATION INSTRUCTIONS

BULL BAR PART# B35-5006 / 35-5006
2010 DODGE RAM P/U 2500 / 3500

<u>QTY.</u>	<u>ITEM</u>	<u>CONTENT</u>
1	1	BULL BAR
2	2	BRACKETS-PASSENGER & DRIVER SIDE
4	3	RUBBER BUMPER
8	4	3/8" -16 X 1.25" HEX HEAD BOLT
16	5	3/8" FLAT WASHER
8	6	3/8" LOCK WASHERS
8	7	3/8-16 HEX NUT

STEP 1 REMOVE CONTENTS FROM BOX AND VERIFY ALL PART ARE PRESENT. READ INSTRUCTIONS COMPLETELY BEFORE BEGINNING.

STEP 2 IT MAY BE NECESSARY TO REMOVE/RELOCATE FRONT LICENSE PLATE AND LICENSE PLATE BRACKET. IT IS NOT REQUIRED, BUT STRONGLY RECOMMENDED.

STEP 3 DETERMINE PASSENGER AND DRIVER BRACKETS. SEE FIGURE 3. REMOVE TOW HOOKS. KEEP FASTENERS FOR REINSTALLATION.

STEP 4 REMOVAL OF CENTER BUMPER FILLER PANEL IS REQUIRED FOR BRACKET INSTALLATION. FROM BACKSIDE OF BUMPER USE A SMALL SCREWDRIVER TO FIRST PUSH OUT THE CENTER BODY OF RIVET THEN THE MAIN BODY OF RIVET. REMOVE ALL RIVETS AND FILLER PANEL.

STEP 5 LOCATE FOUR HOLES ON FRAME BRACKET. POSITION BRACKETS TO TWO HOLES CLOSEST TO THE OUTSIDE OF VEHICLE. NOTE: 1500 MODELS USE TWO INSIDE SLOTS. 2500/3500 MODELS USE OUTSIDE MOST SLOTS. VEHICLES WITH TOW HOOKS USE FACTORY FASTENERS TO ATTACH BRACKETS, OTHERWISE USE 3/8" FASTENERS. LEAVE LOOSE. SEE FIGURE 3.

STEP 6: ATTACH BULL BAR TO BRACKETS USING 3/8" FASTENERS AS SHOWN. MAKE SURE MOUNT TABS ON HOOP ARE INSIDE BRACKETS. LEAVE LOOSE. SEE FIGURE 3.

STEP 7 LEVEL AND ADJUST BULL BAR AS DESIRED. TORQUE ALL 3/8" FASTENERS TO 30 FT.LBS, AND TOW HOOK FASTENERS TO 65 FT LBS.

FINISH PROTECTION- ARIES PRODUCTS HAVE A HIGH FINISH THAT MUST BE MAINTAINED SUCH AS ANY OTHER HIGH FINISH PRODUCT ON THE VEHICLE. PROTECT THE FINISH WITH A NON-ABRASIVE AUTOMOTIVE WAX. THE USE OF SOAP, POLISH, OR WAX THAT CONTAINS ABRASIVES IS DETRIMENTAL, AS THE COMPOUNDS SCRATCH THE FINISH AND OPEN IT TO CORROSION.

DISCLAIMER- BUYER ASSUMES ALL RISK AND LIABILITY WHATSOEVER FROM THE INSTALLATION AND USE OF ARIES PRODUCTS. ARIES PRODUCTS ARE SOLD AS DECORATIVE ACCESSORIES AND SHOULD NOT BE RELIED UPON AS PROTECTION FOR THE VEHICLE OR OCCUPANTS IN THE EVENT OF A COLLISION OR ROLL OVER. ARIES AUTOMOTIVE ASSUMES NO LIABILITY FOR INJURY, LOSS, INCIDENTAL OR CONSEQUENTIAL DAMAGES IN THE EVENT OF A COLLISION OR ROLLOVER.

4,5,6,7

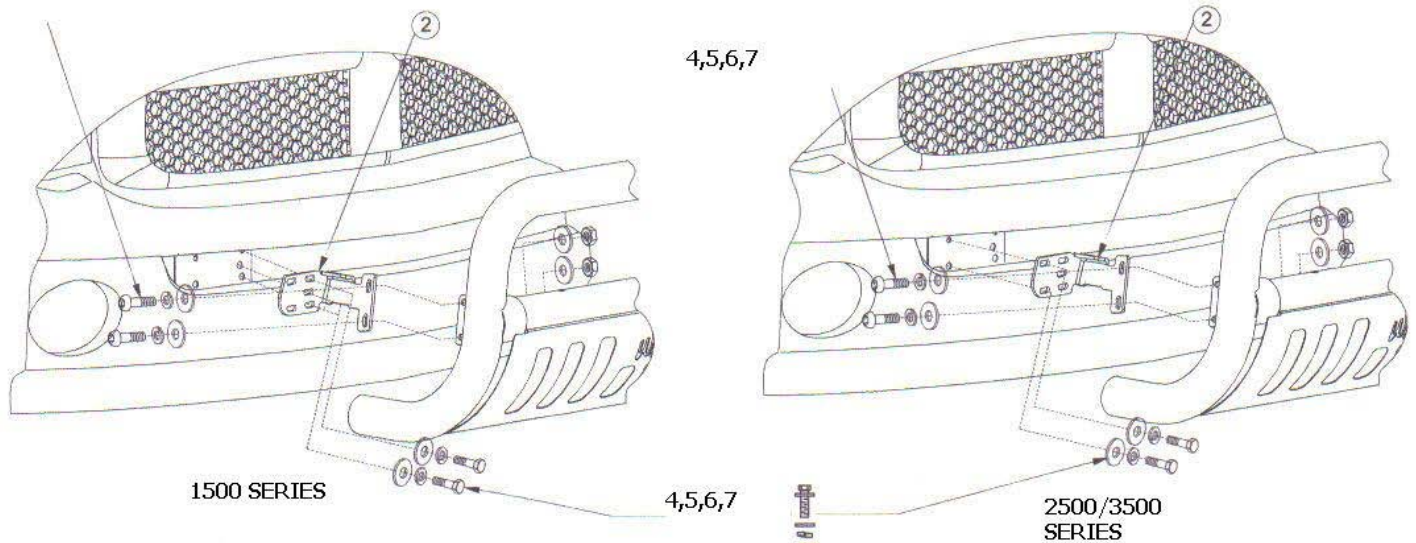


FIGURE 3-INSTALLATION VIEW OF PASSENGER SIDE, DRIVER SIDE OPPOSITE